

B two-point applicator

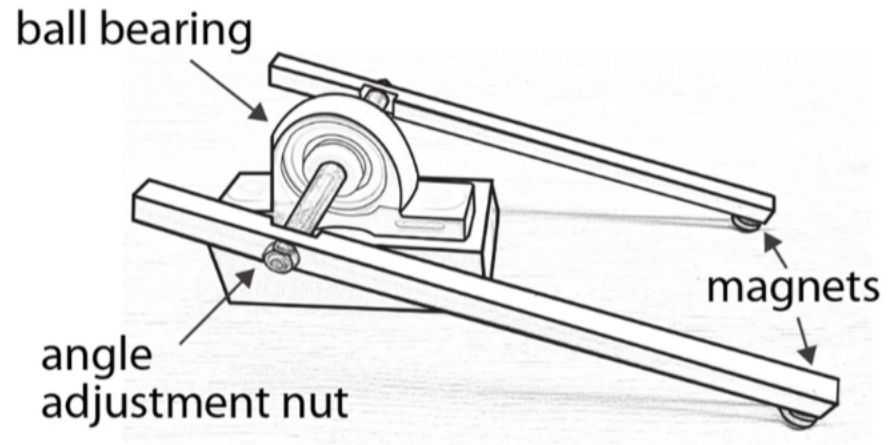


FIGURE 2 | Force-controlled two-point stimulus apparatus. **(A)** Front view with a two-point applicator attached to magnets at the ends of the swivel arms. In this illustration, the applicator's pinheads are separated by 42 mm. **(B)** Side view without applicator, illustrating the angle adjustment nut on one of the swivel arms.